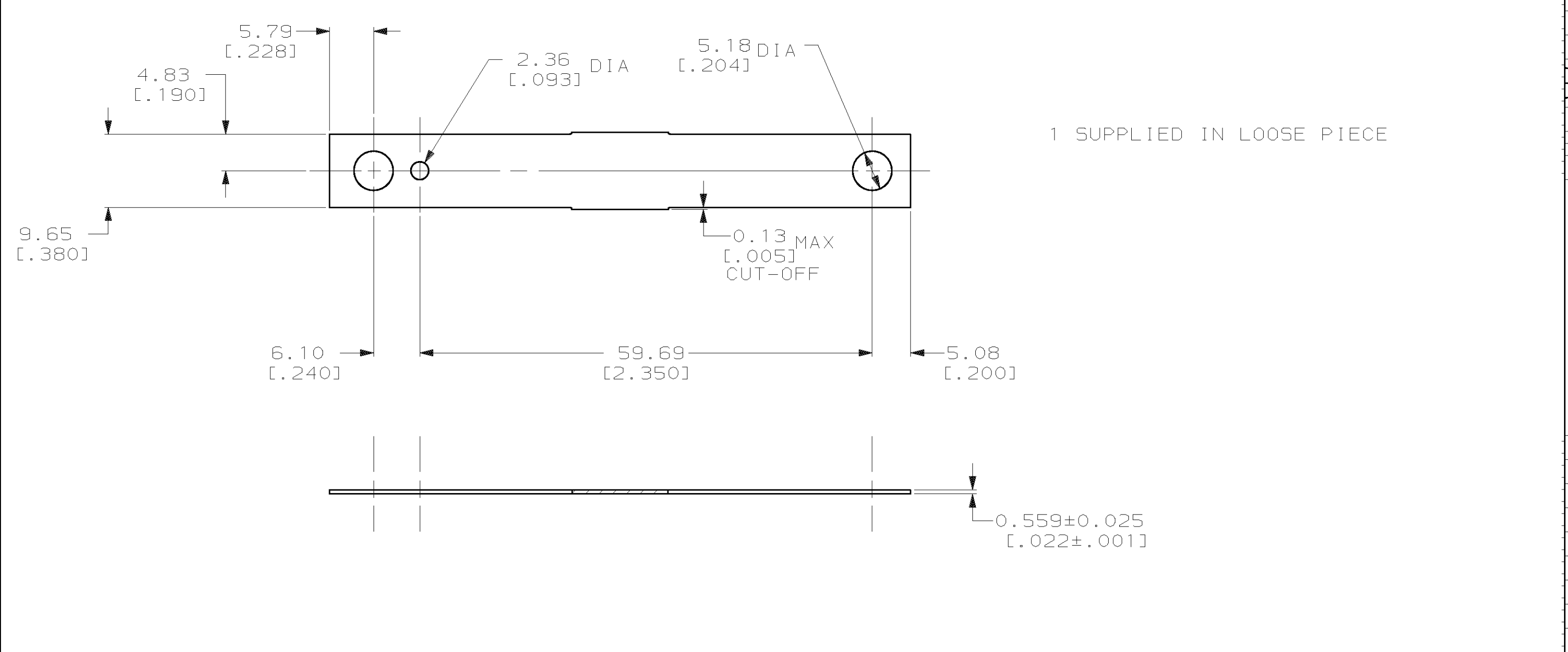


THIS DRAWING IS UNPUBLISHED. RELEASED FOR PUBLICATION, 19 .
 © COPYRIGHT 19 BY AMP INCORPORATED. ALL INTERNATIONAL RIGHTS RESERVED.

LOC	DIST	P	F	ZONE	LTR	DESCRIPTION	DATE	APPD
AF	50				D	REVISED PER 0L10-0240-97	02/JUN/97	PF/JP



DO NOT SCALE PRINT. UNLESS SPECIFIED. DIMENSIONS IN mm [INCHES]. TOLERANCES ON: 2 PLC DEC ± - 3 PLC DEC ± 0.25 [.010] ANGLES ± -		DR 8/2/89 P FORTNEY	63554-1 PART NO	
MATERIAL COPPER ANNEALED	CHK 8/2/89 MS FEHER	APPD 8/2/89 RP FRANTZ	AMP INCORPORATED Harrisburg, Pa. 17105	
FINISH -	APPD 8/2/89 R KUZO	PRODUCT SPEC -	NAME GROUNDING STRAP	
	APPLICATION SPEC -	WEIGHT -	SIZE B	CAGE CODE 00779
			DRAWING NO 63554	SHEET 1 OF 1
			SCALE 2:1	